

# MW07TS-FIN

## WALL MIXER DIVERTER FINISH KIT

meir®

### HANDLE VARIANTS



Paddle:MW07TSPD-FIN

Paddle:MW07TSPN-FIN



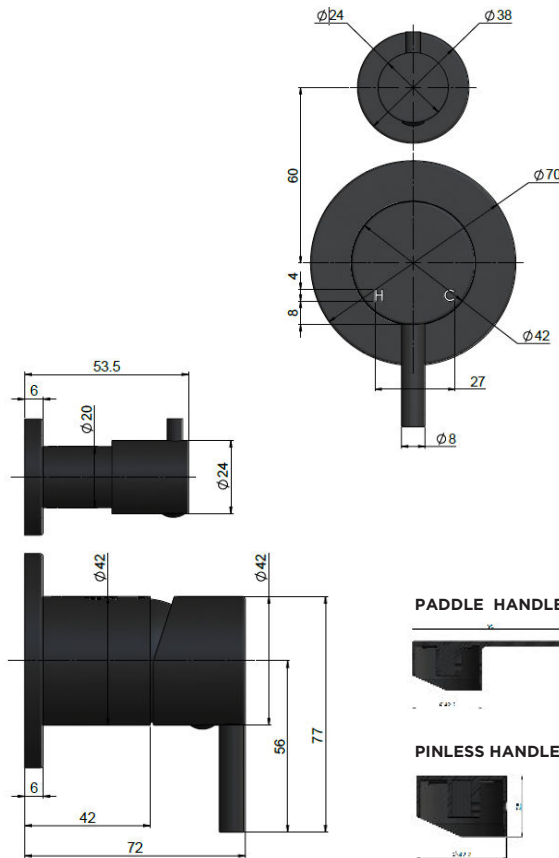
### FEATURES

- Refer to the Meir website for warranty terms & conditions, and available finishes
- Featuring the finish set only, excluding the in-wall body.
- European components and cartridge
- Reinforced rubber seal and lining
- Solid brass construction

### CARE

- Do not install tapware using any form of acetone silicones.
- Do not apply physical items (such as tools) directly to product.
- Never use house-hold or commercial detergents, citrus based cleaners, or abrasive cleaners.
- Clean using a mild washing soap solution rinsed, and dry with a soft cloth.
- Check for any product defects before installation.
- Refer to the installation manual for correct installation.

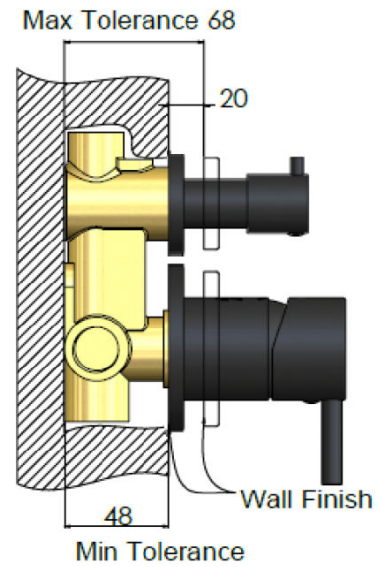
### SPECIFICATIONS



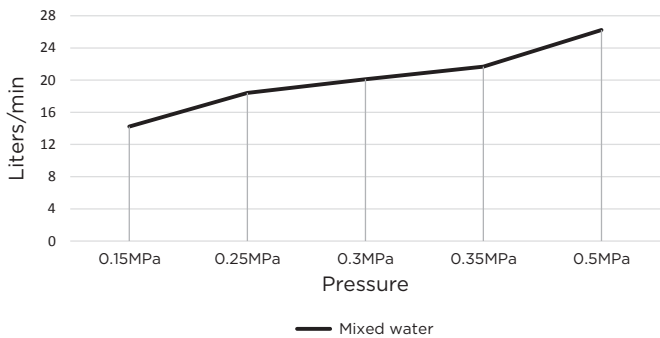
PADDLE HANDLE

PINLESS HANDLE

### TOLERANCES



### FLOW RATE GRAPH (for the complete installation)



### CREDENTIALS

- Watermark AS/NZS 3718WMKA25013

### EXPLODED VIEW

