

# MBS05-130

## BASIN SPOUT

meir®



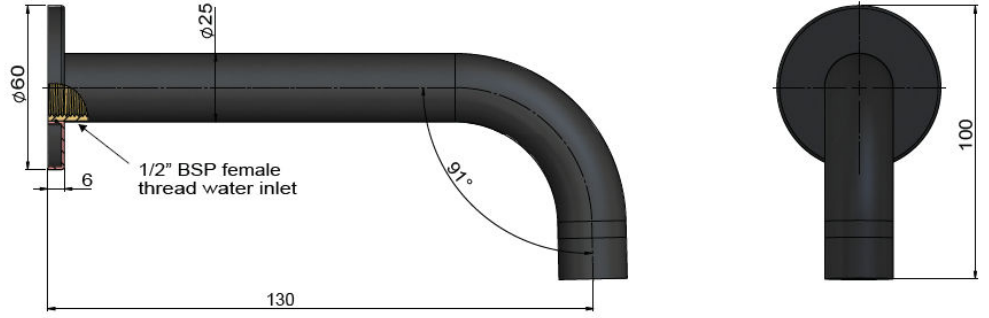
### FEATURES

- Refer to the Meir website for warranty terms & conditions, and available finishes.
- Flow rate 5L p/ m at 3 bar pressure.
- European components and cartridge
- Solid brass construction
- Box Weight 0.34 kg
- 68mm long 1/2" threaded adapter included

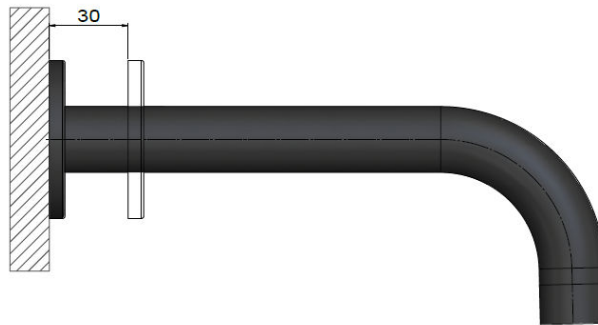
### CARE

- Do not install tapware using any form of acetone silicones.
- Do not apply physical items (such as tools) directly to product.
- Never use house-hold or commercial detergents, citrus based cleaners, or abrasive cleaners.
- Clean using a mild washing soap solution rinsed, and dry with a soft cloth.
- Check for any product defects before installation.
- Refer to the installation manual for correct installation.

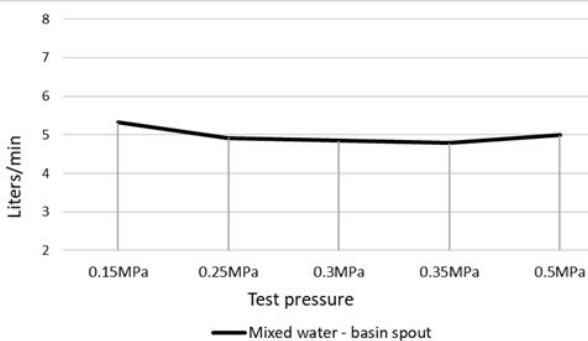
### SPECIFICATIONS



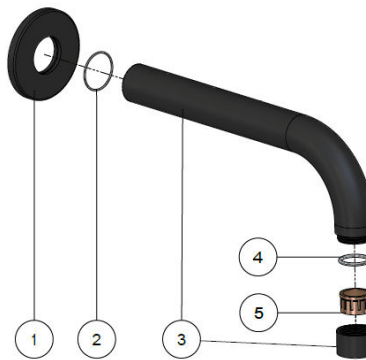
#### TOLERANCE



### FLOW RATE GRAPH



### EXPLODED VIEW



NO.	Part
1	Back plate
2	O-ring
3	Spout
4	O-ring
5	Aerator

### CREDENTIALS

- Watermark AS/NZS3718WMKA25013